
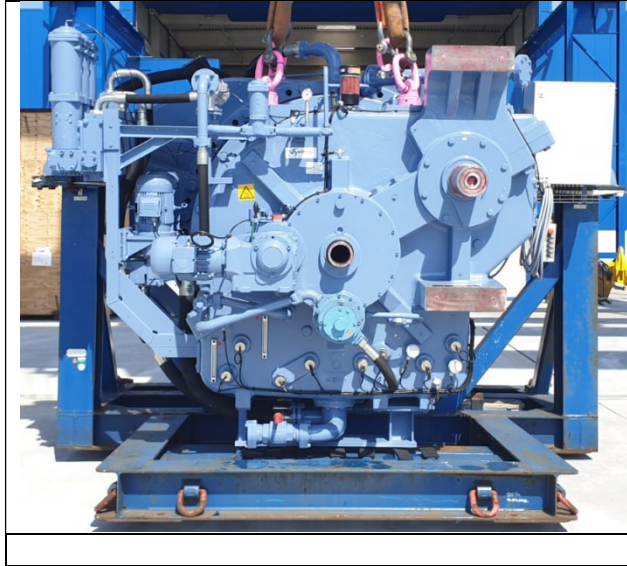


Exposé

of refurbished Winergy replacement gearbox for Senvion turbine 5M

Gearbox manufacturer	Winergy	 <p> PZFB 3680,2 1P NFC: 4893231 - 0115 - 1 Fauf 7516451 l = 96,965 Weight: 63000 kg n1 = 12,065/min n2 = 1170/min 5591 kW Mobilgear SHC XMP 320 Oil - 850 L Service no.: 4814234-50-2 BA 1000 04/2018 Flender GmbH, Am Industriepark 2, DE-46562 Voerde Made in Germany </p>
Type	PZFB 3680,2	
Turbine type	Repower / Senvion 5M	
Rated power	5591 kW	
Ratio	96,965	
Generator speed	1170 1/min	
Rotor speed	12,08 1/min	
Frequency	50 Hz	
Serial number	4893231-115-1	
Original serial number	4814234-50-2	
Original manufactured in Voerde in	June 2007	
Original commissioned in	April 2010	
Operation time until Feb. 2017 (source: Senvion)	56.482 h 145.878.625 kWh	
Estimated operation time total	64.500 h 166.718.428 kWh	





Scope (see pictures)

- Gearbox
- Oil supply system mounted at gearbox
- Steel transport frame
- Wiring and junction box mounted at gearbox

Not included:

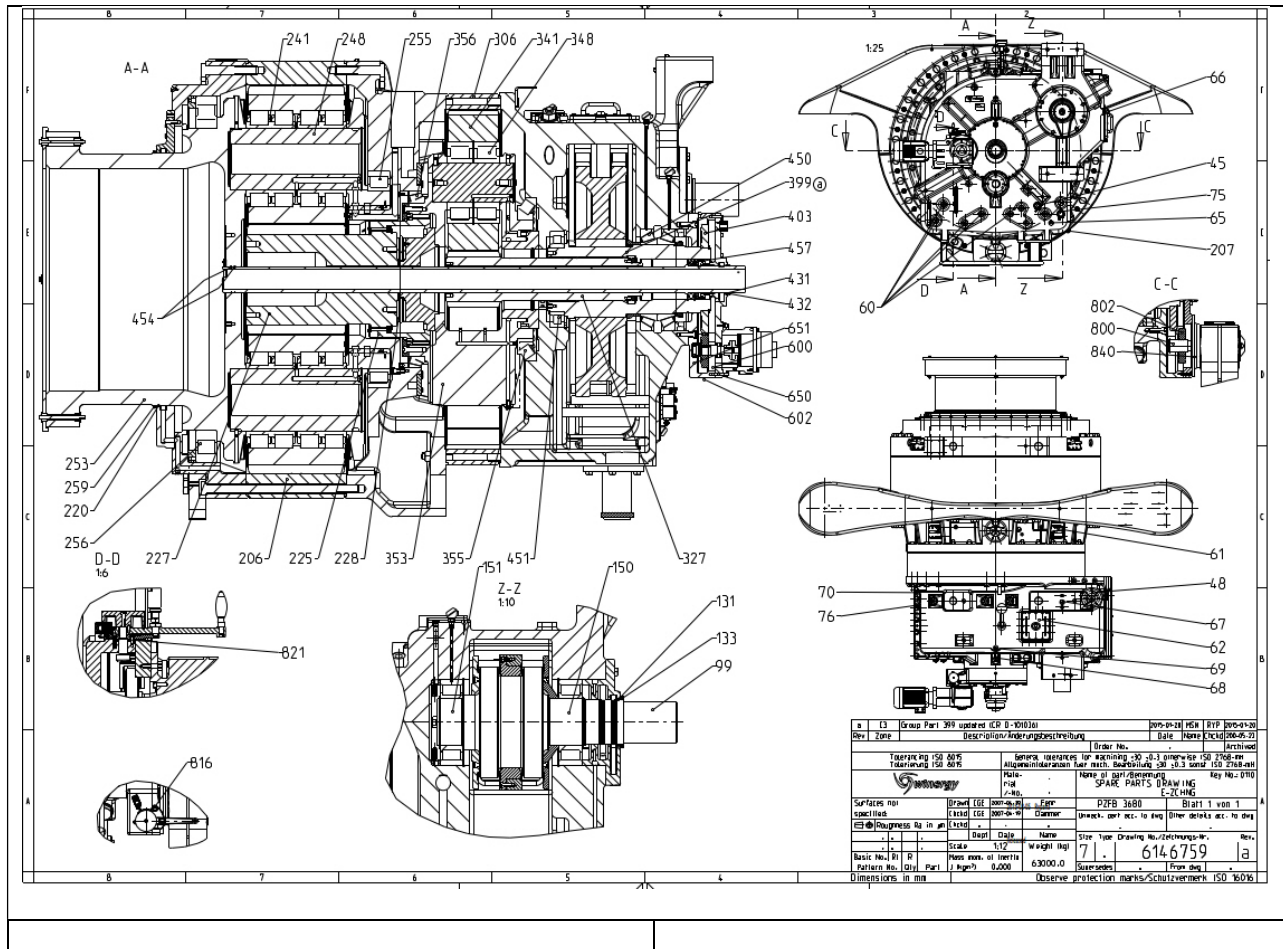
- Lifting devices (ropes and eye screws)

Overhaul and upgrade in May 2019 by Winergy

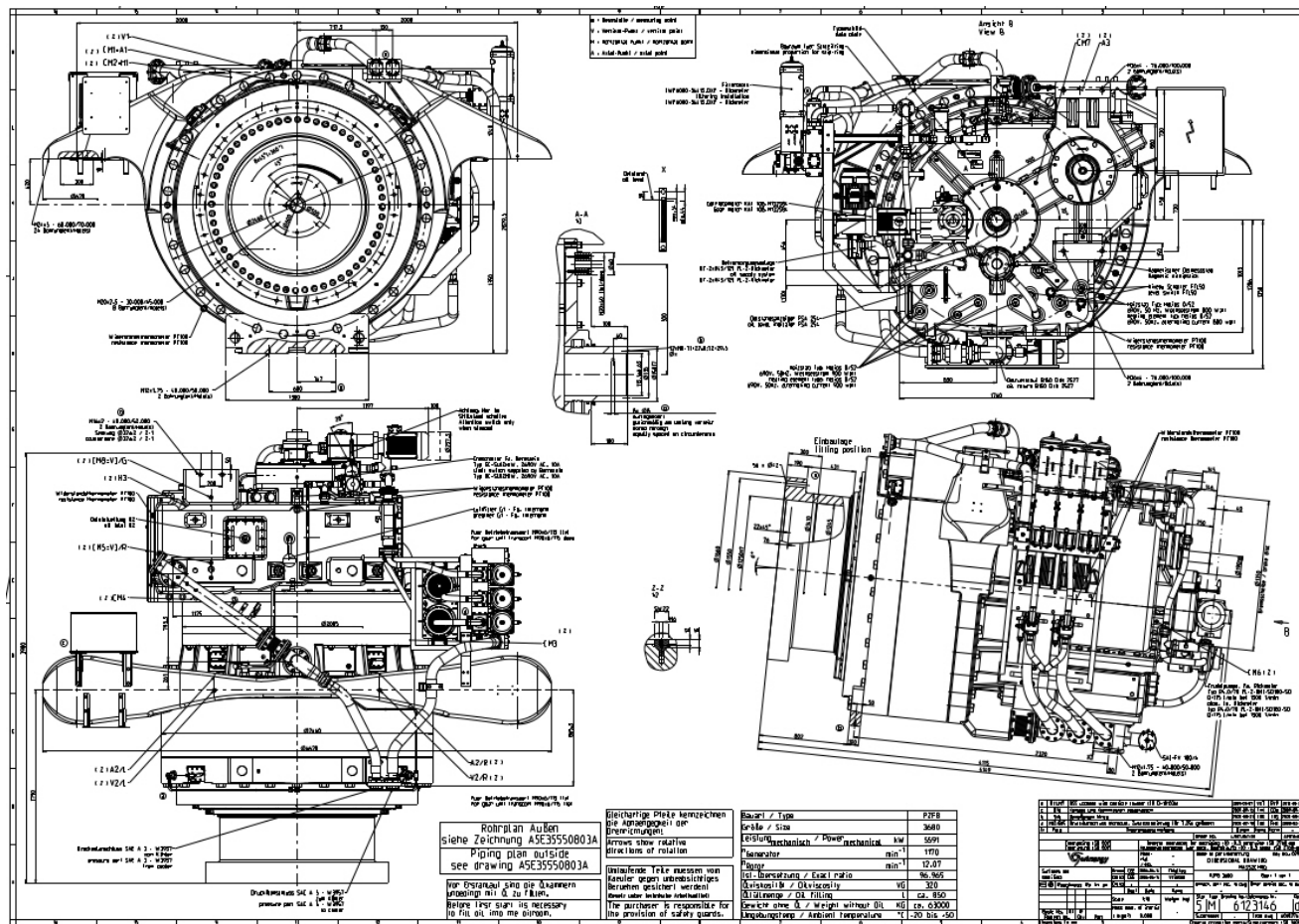
Following parts have been replaced by brands new components:

- All bearings
- Planet carrier 2th part 353
- Planet axle part 239
- Bushing part 271
- Oil supply system
- All small parts
- Wiring and junction box

Full load test run



Dimension:



Rohrplan Außen
siehe Zeichnung ASE35550803A
Piping plan outside
see drawing ASE35550803A

Vor Druckaufbau sind die Querschnitte
entlang mit 0,2 zu führen.
Before first start is necessary
to fill on into me company.

Richtige Pfeile kennzeichnen
die Antriehsricher der
Drehrichtungen
Arrows show relative
direction of rotation
Einzelteile Teile mussten von
Hersteller gegen ausstrichliches
Beurteilen gesicheter werden
These cases beehive identification
The architect is responsible for
the provision of safety queries

Bezeichnung / Type	PZFB
Größe / Size	3680
Leistung / Output / Power	5599 kW
Parameter	1470
Umdrehungen / Rev. ratio	12:01
Druckkraft / Overhaul	30
Ölfüllmenge / Oil filling	1 ca. 850
Bruttogewicht ohne Öl / Weight without Oil	ca. 63000
Arbeitsbereich / Ambient Temperature	-1,20 bis +50

Geometrische Abmessungen	
Größe / Size	3680
Leistung / Output / Power	5599 kW
Parameter	1470
Umdrehungen / Rev. ratio	12:01
Druckkraft / Overhaul	30
Ölfüllmenge / Oil filling	1 ca. 850
Bruttogewicht ohne Öl / Weight without Oil	ca. 63000
Arbeitsbereich / Ambient Temperature	-1,20 bis +50